

# PART NO. GMCSS-2

## GENERAL MOTORS SURROUND SOUND T-HARNESS

FOR GENERAL MOTORS VEHICLES WITH ON-STAR EQUIPPED SYSTEMS

(Vehicle can also have features such as XM Radio, Delco Bose, CD changer etc.)

(Not for use on Cadillac cars due to Cadillac's frequent engineering and design changes (except Escalade models)

GMCSS-2 GENERAL MOTORS CELLULAR SURROUND SOUND T-HARNESS FOR USE WITH MOST MOTOROLA, NOKIA AND OTHER MANUFACTURERS HANDS-FREE KITS WITH A MUTE WIRE.

THIS HARNESS IS DESIGNED TO BE USED IN CONJUNCTION WITH GENERAL MOTORS VEHICLES EQUIPPED WITH THE RDS RADIO. (2003-2006 FULL SIZE PICKUPS AND SPORTS UTILITY VEHICLES AND 2000-2006 CARS, SMALL TRUCKS AND SUV'S.) WHEN THE HARNESS IS INSTALLED IT WILL, UPON ACTIVATION BY AN INCOMING OR OUTGOING PHONE CALL, AUTOMATICALLY MUTE THE RADIO AND PLAY THE CALL THROUGH THE FACTORY SOUND SYSTEM. "PHONE" OR "CALL" WILL APPEAR ON THE RADIOS' DISPLAY!

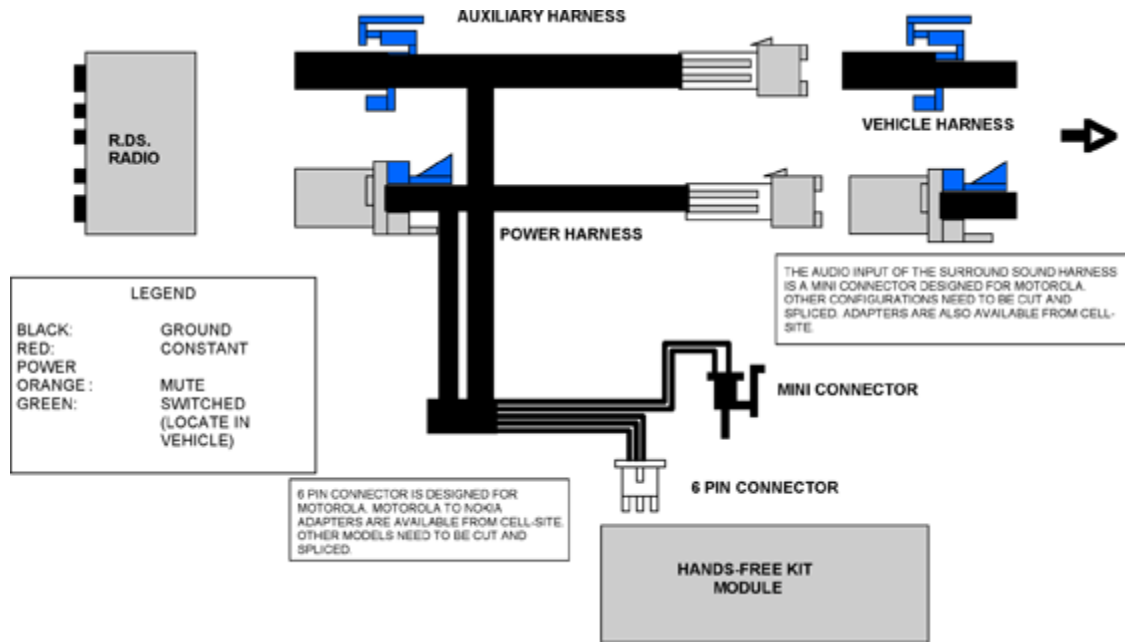
**NOTE: PRIOR TO DISCONNECTING THE RADIO EJECT ALL CD'S FROM THE IN DASH RADIO.**

### **INSTALLATION INSTRUCTIONS**

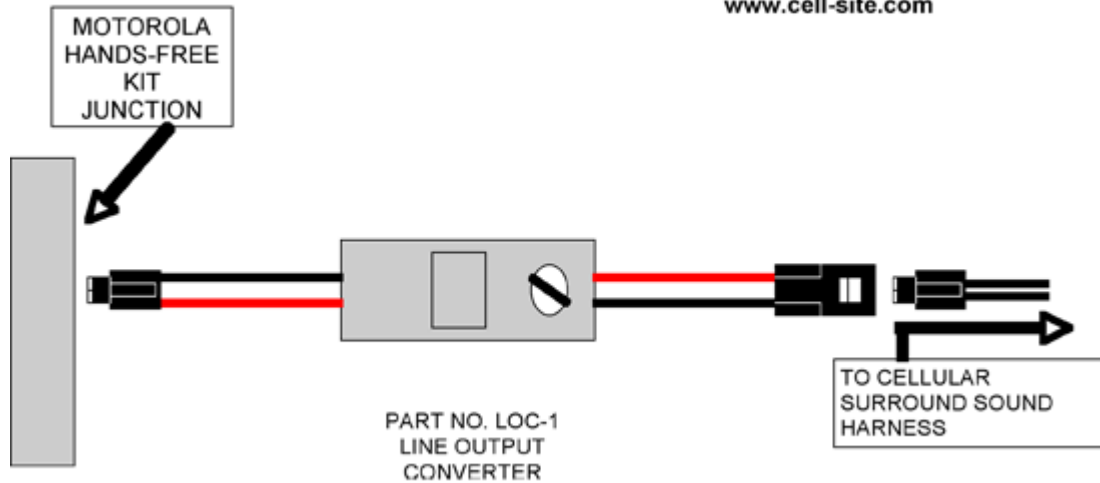
- Disconnect the battery prior to the installation.  
Remove the factory radio to gain access to the rear of the radio.
- Disconnect the radios' power and auxiliary harnesses from the rear of the radio.
- Plug the corresponding GMCSS-2 harness plugs into the rear of the radio and plug the other end into the power and auxiliary harnesses removed from the radio.
- Plug the mini connector and 6 pin connector into the hands-free kit brain.  
(Adapters are available for Motorola to Nokia)
- Connect the green wire to a switched lead in vehicle. (Optional) (Disregard identification on wire if any exists)

NOTE: ALWAYS FUSE YOUR POWER CONNECTIONS!

NOTE: FOR IMPROVED PHONE CALL CLARITY, REDUCE THE CELLULAR PHONE VOLUME SETTINGS TO ALLOW GREATER INCREMENTAL VOLUME ADJUSTMENT VIA THE VEHICLES RADIO CONTROLS. PART NO. LOC-1 LINE OUTPUT CONVERTER CAN BE USED IN LINE TO IMPROVE SOUND QUALITY. THE LINE OUTPUT CONVERTER SHOULD BE USED IN ALL MOTOROLA AND NEXTEL INSTALLATIONS.



VISIT US ON THE WEB AT  
[www.cell-site.com](http://www.cell-site.com)



THE LOC-1 IS AN ADJUSTABLE MONO LINE OUTPUT CONVERTER/GROUND LOOP ISOLATOR THAT WILL ADDRESS MOST CONCERNS WITH VOLUME/NOISE ISSUES RELATED TO HIGH OUTPUT JUNCTION BOXES USED WITH LOW INPUT SOUND SYSTEMS. (ie. MOTOROLA TO GENERAL MOTORS VEHICLES)

THE LOC-1 IS INSTALLED BETWEEN THE JUNCTION BOX SPEAKER OUTPUT AND THE

CELLULAR SURROUND SOUND HARNESS AUDIO INPUT. USE THE ADJUSTMENT CONTROL ON THE LOC-1 TO FINE TUNE THE SYSTEM FOR OPTIMUM PERFORMANCE.

THEM LOC-1 IS DESIGNED FOR MOTOROLA HAND-SFREE KITS. FOR OTHER MANUFACTURERS SIMPLY CUT OFF THE CONNECTOR THAT PLUGS INTO THE MOTOROLA JUNCTION BOX AND SPLICE THE CONNECTOR OF THE OTHER MANUFACTURERS ONTO THE LOC-1.